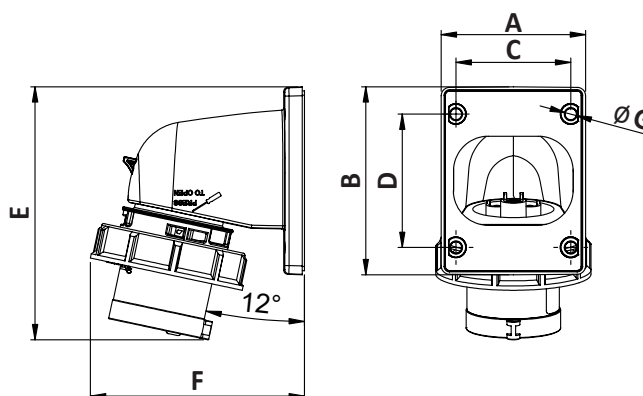


POWtec CEE Angled Appliance Inlets IP67



- Waterproof, IP67
- Screw terminals
- Quick release locking system
- Brass contacts



Maximum Conductor Cross-section		
Current Rating	Flexible	Solid
16A	4mm ²	6mm ²
32A	6mm ²	10mm ²

Dimensions (mm)						
Poles	3	4	5	3	4	5
Current	16A			32A		
A	66	66	90	90	90	90
B	86	86	100	100	100	100
C	53	53	77	77	77	77
D	61	61	85	85	85	85
E	116	117	153	163	163	164
F	99	103	107	110	110	114
G	5	5	5	5	5	5
Weight (g)	146	168	219	240	260	291

Voltage		110 V~	230 V~	400 V~
Frequency		50/60 Hz	50/60 Hz	50/60 Hz
Designation		4h	3p = 6h 4p/5p = 9h	3p = 9h 4p/5p = 6h
Current	Poles	Part No.	Part No.	Part No.
16A	3	POWtecP-316Y-P667	POWtecP-316B-P667	-
16A	4	POWtecP-416Y-P667	POWtecP-416B-P667	POWtecP-416R-P667
16A	5	-	POWtecP-516B-P667	POWtecP-516R-P667
32A	3	POWtecP-332Y-P667	POWtecP-332B-P667	-
32A	4	POWtecP-432Y-P667	POWtecP-432B-P667	POWtecP-432R-P667
32A	5	-	POWtecP-532B-P667	POWtecP-532R-P667